

# Product data sheet

Specifications



Illuminated selector switch,  
Harmony XB4, metal, green  
handle, 22mm, universal LED, 3  
positions, 1NO + 1NC, 24V AC DC

XB4BK133B5

**Important message: Viktig information: en förändring i utseendet kan observeras på produkten, men detta påverkar inte dess användning i termer av funktion och säkerhet. Detta gör den kompatibel med våra Universal LED-block**

## Main

Range Of Product	Harmony XB4
Product Or Component Type	Illuminated selector switch
Device Short Name	XB4
Bezel Material	Chromium plated metal
Fixing Collar Material	Zamak
Head Type	Standard
Mounting Diameter	0.89 in (22.5 mm)
Sale Per Indivisible Quantity	1
Shape Of Signaling Unit Head	Round
Type Of Operator	stay put
Operator Profile	Green standard handle
Operator Position Information	3 positions +/- 45°
Contacts Type And Composition	1 NO + 1 NC
Contact Operation	Slow-break
Connections - Terminals	Screw clamp terminals, $\leq 2 \times 1.5 \text{ mm}^2$ with cable end IEC 60947-1 Screw clamp terminals, $> 1 \times 0.22 \text{ mm}^2$ without cable end IEC 60947-1
Light Source	Universal LED
Bulb Base	Integral LED
[Us] Rated Supply Voltage	24 V AC/DC 50/60 Hz

## Complementary

Resistance To High Pressure Washer	1015.26 psi (7000000 Pa) 131 °F (55 °C) 0.1 m
Contacts Usage	Standard contacts
Positive Opening	With IEC 60947-5-1 appendix K
Operating Torque	1.24 lbf.in (0.14 N.m) NO changing electrical state
Mechanical Durability	500000 cycles
Tightening Torque	7.08...10.62 lbf.in (0.8...1.2 N.m) IEC 60947-1
Shape Of Screw Head	Cross Philips no 1 Cross pozidriv No 1 Slotted flat Ø 4 mm Slotted flat Ø 5.5 mm

Price is "List Price" and may be subject to a trade discount – check with your local distributor or retailer for actual price.

<b>Contacts Material</b>	Silver alloy (Ag/Ni)
<b>Short-Circuit Protection</b>	10 A cartridge fuse gG IEC 60947-5-1
<b>[I<sub>th</sub>] Conventional Free Air Thermal Current</b>	10 A IEC 60947-5-1
<b>[U<sub>i</sub>] Rated Insulation Voltage</b>	600 V 3)IEC 60947-1
<b>[U<sub>imp</sub>] Rated Impulse Withstand Voltage</b>	6 kV IEC 60947-1
<b>[I<sub>e</sub>] Rated Operational Current</b>	3 A 240 V, AC-15, A600 IEC 60947-5-1 6 A 120 V, AC-15, A600 IEC 60947-5-1 0.1 A 600 V, DC-13, Q600 IEC 60947-5-1 0.27 A 250 V, DC-13, Q600 IEC 60947-5-1 0.55 A 125 V, DC-13, Q600 IEC 60947-5-1 1.2 A 600 V, AC-15, A600 IEC 60947-5-1
<b>Electrical Durability</b>	1000000 cycles, AC-15, 2 A 230 V 3600 cyc/h 0.5 EN 60947-5-1 appendix C 1000000 cycles, AC-15, 3 A 120 V 3600 cyc/h 0.5 EN 60947-5-1 appendix C 1000000 cycles, AC-15, 4 A 24 V 3600 cyc/h 0.5 EN 60947-5-1 appendix C 1000000 cycles, DC-13, 0.2 A 110 V 3600 cyc/h 0.5 EN 60947-5-1 appendix C 1000000 cycles, DC-13, 0.5 A 24 V 3600 cyc/h 0.5 EN 60947-5-1 appendix C
<b>Electrical Reliability</b>	$\Lambda < 10\text{exp}(-6)$ 5 V 1 mA in clean environment IEC 60947-5-4 $\Lambda < 10\text{exp}(-8)$ 17 V 5 mA in clean environment IEC 60947-5-4
<b>Signalling Type</b>	Steady
<b>Supply Voltage Limits</b>	19.2...30 V DC 21.6...26.4 V AC
<b>Current Consumption</b>	18 mA
<b>Service Life</b>	100000 h at rated voltage and 25 °C
<b>Surge Withstand</b>	1 kV IEC 61000-4-5
<b>Device Presentation</b>	Complete product

## Environment

<b>Protective Treatment</b>	TH
<b>Ambient Air Temperature For Storage</b>	-40...158 °F (-40...70 °C)
<b>Ambient Air Temperature For Operation</b>	-40...158 °F (-40...70 °C)
<b>Electrical Shock Protection Class</b>	Class I IEC 60536
<b>Ip Degree Of Protection</b>	IP66 IEC 60529 IP67 IP69 IP69K
<b>Nema Degree Of Protection</b>	NEMA 13 NEMA 4X
<b>Ik Degree Of Protection</b>	IK04 conforming to IEC 50102
<b>Standards</b>	UL 508 IEC 60947-5-4 JIS C8201-5-1 IEC 60947-5-5 IEC 60947-5-1 CSA C22.2 No 14 IEC 60947-1 JIS C8201-1
<b>Product Certifications</b>	CSA UL GL LROS (Lloyds register of shipping) BV DNV
<b>Vibration Resistance</b>	5 gn 2...500 Hz)IEC 60068-2-6

<b>Shock Resistance</b>	30 gn 18 ms) half sine wave acceleration IEC 60068-2-27 50 gn 11 ms) half sine wave acceleration IEC 60068-2-27
<b>Resistance To Fast Transients</b>	2 kV IEC 61000-4-4
<b>Resistance To Electromagnetic Fields</b>	9.14 V/m (10 V/m) IEC 61000-4-3
<b>Resistance To Electrostatic Discharge</b>	6 kV on contact (on metal parts) IEC 61000-4-2 8 kV in free air (in insulating parts) IEC 61000-4-2
<b>Electromagnetic Emission</b>	Class B IEC 55011

## Ordering and shipping details

<b>Gtin</b>	3389118223202
-------------	---------------

## Packing Units

<b>Unit Type Of Package 1</b>	PCE
<b>Number Of Units In Package 1</b>	1
<b>Package 1 Height</b>	3.43 in (8.7 cm)
<b>Package 1 Width</b>	1.34 in (3.4 cm)
<b>Package 1 Length</b>	2.09 in (5.3 cm)
<b>Package 1 Weight</b>	3.84 oz (109 g)
<b>Unit Type Of Package 2</b>	BB1
<b>Number Of Units In Package 2</b>	5
<b>Package 2 Height</b>	3.43 in (8.7 cm)
<b>Package 2 Width</b>	1.34 in (3.4 cm)
<b>Package 2 Length</b>	10.43 in (26.5 cm)
<b>Package 2 Weight</b>	19.22 oz (545 g)
<b>Unit Type Of Package 3</b>	S02
<b>Number Of Units In Package 3</b>	50
<b>Package 3 Height</b>	5.91 in (15 cm)
<b>Package 3 Width</b>	11.81 in (30 cm)
<b>Package 3 Length</b>	15.75 in (40 cm)
<b>Package 3 Weight</b>	12.86 lb(US) (5.835 kg)

## Contractual warranty

<b>Warranty</b>	18 months
-----------------	-----------

## Sustainability

**Green Premium™ label** is Schneider Electric's commitment to delivering products with best-in-class environmental performance. Green Premium promises compliance with the latest regulations, transparency on environmental impacts, as well as circular and low-CO<sub>2</sub> products.

**Guide to assessing product sustainability** is a white paper that clarifies global eco-label standards and how to interpret environmental declarations.

[Learn more about Green Premium >](#)

[Guide to assess a product's sustainability >](#)



Transparency RoHS/REACH

## Well-being performance

Mercury Free

Rohs Exemption Information Yes

## Certifications & Standards

Reach Regulation [REACH Declaration](#)

Eu Rohs Directive Pro-active compliance (Product out of EU RoHS legal scope)

China Rohs Regulation [China RoHS declaration](#)

Environmental Disclosure [Product Environmental Profile](#)

Weee The product must be disposed on European Union markets following specific waste collection and never end up in rubbish bins.

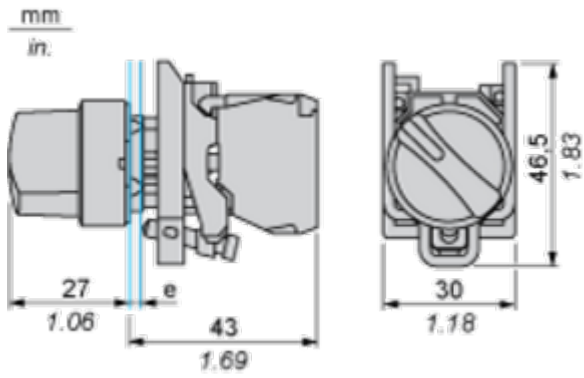
Circularity Profile [End of Life Information](#)

California Proposition 65 WARNING: This product can expose you to chemicals including: Lead and lead compounds, which is known to the State of California to cause cancer and birth defects or other reproductive harm. For more information go to [www.P65Warnings.ca.gov](http://www.P65Warnings.ca.gov)

Dimensions Drawings

Dimensions

---



e : clamping thickness: 1 to 6 mm / 0.04 to 0.24 in.

Mounting and Clearance

**Panel Cut-out for Pushbuttons, Switches and Pilot Lights (Finished Holes, Ready for Installation)**

Connection by Screw Clamp Terminals or Plug-in Connectors or on Printed Circuit Board	Connection by Faston Connectors
	
<p>(1) Diameter on finished panel or support                  (2) 40 mm min. / 1.57 in. min.                  (3) 30 mm min. / 1.18 in. min.                  (4) <math>\varnothing 22.5 \text{ mm} / 0.89 \text{ in. recommended } (\varnothing 22.3 \text{ mm }_0^{+0.4} / 0.88 \text{ in. }_0^{+0.016})</math>                  (5) 45 mm min. / 1.78 in. min.                  (6) 32 mm min. / 1.26 in. min.</p>	