

# Product data sheet

Specifications



## Discrete output module, Modicon M238 logic controller, 8 outputs 24 V transistor, 1 screw terminal block

TM2DDO8TT

! Discontinued on: 28 June 2019

! To be end-of-service on: 30 June 2024

! Discontinued - Service only

### Main

Range of product	Modicon M238 logic controller
Product or component type	Discrete output module
Discrete output number	8
Discrete output type	Transistor
Discrete output voltage	24 V
Discrete output logic	Source
Discrete output current	0.5 A

### Complementary

Range compatibility	Advantys OTB Twido
Output voltage limits	20.4...28.8 V
Current per channel	0.6 A
Maximum current per output common	4 A
Number of common point	1
Response time	450 µs from state 0 to state 1 450 µs from state 1 to state 0
[Ures] residual voltage	0.4 V at state 1
Maximum leakage current	0.1 mA
Maximum inductive load	10 mH
Maximum tungsten load	12 W
Short-circuit protection	With automatic reactivaton
Overload protection	With automatic reactivaton
Isolation between channels	None
Isolation between channels and internal logic	500 V for 1 minute
Current consumption	10 mA at 5 V DC at state 1 for all output 20 mA at 24 V DC at state 1 for all output
Local signalling	1 display block
Electrical connection	1 removable screw terminal block

<b>Mounting support</b>	35 mm symmetrical DIN rail
<b>Net weight</b>	0.085 kg

## Environment

<b>Depth</b>	84.6 mm
<b>Height</b>	90 mm
<b>Width</b>	27.3 mm

## Packing Units

<b>Unit Type of Package 1</b>	PCE
<b>Number of Units in Package 1</b>	1
<b>Package 1 Weight</b>	184 g
<b>Package 1 Height</b>	7 cm
<b>Package 1 width</b>	10 cm
<b>Package 1 Length</b>	12.5 cm
<b>Unit Type of Package 2</b>	BB1
<b>Number of Units in Package 2</b>	25
<b>Package 2 Weight</b>	5.24 kg
<b>Package 2 Height</b>	30 cm
<b>Package 2 width</b>	29.9 cm
<b>Package 2 Length</b>	39.8 cm

## Offer Sustainability

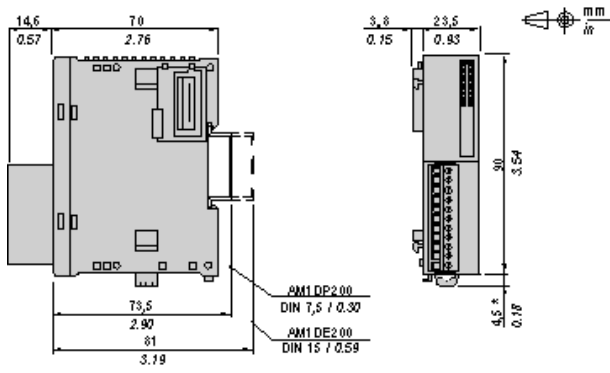
<b>Sustainable offer status</b>	Green Premium product
<b>REACH Regulation</b>	<a href="#">REACH Declaration</a>
<b>EU RoHS Directive</b>	Pro-active compliance (Product out of EU RoHS legal scope) <a href="#">EU RoHS Declaration</a>
<b>Mercury free</b>	Yes
<b>RoHS exemption information</b>	<a href="#">Yes</a>
<b>China RoHS Regulation</b>	<a href="#">China RoHS declaration</a>
<b>Environmental Disclosure</b>	<a href="#">Product Environmental Profile</a>
<b>Circularity Profile</b>	<a href="#">End of Life Information</a>
<b>WEEE</b>	The product must be disposed on European Union markets following specific waste collection and never end up in rubbish bins
<b>PVC free</b>	Yes
<b>California proposition 65</b>	WARNING: This product can expose you to chemicals including: Lead and lead compounds, which is known to the State of California to cause cancer and birth defects or other reproductive harm. For more information go to <a href="http://www.P65Warnings.ca.gov">www.P65Warnings.ca.gov</a>

## Contractual warranty

<b>Warranty</b>	18 months
-----------------	-----------

Digital Transistor Output Module (8-channel, Source)

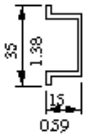
Dimensions



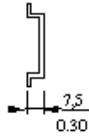
NOTE: \* 8.5 mm (0.33 in) when the clamp is pulled out.

**DIN Rail Mounting**

AM1DE200  
 IEC/EN 60715



AM1DP200



AM1ED200



DZ5MB200

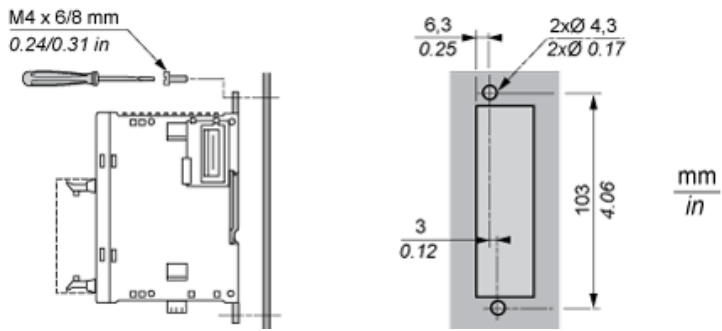


Rail depth	Catalogue part number
15 mm (0.59 in.)	AM1DE200
7,5 mm (0.30 in.)	AM1DP200

NOTE: Do not use AM1ED200 and DZ5MB200

Module Mounting on a Panel Surface

Mounting Hole Layout



**Wiring Requirements**

---

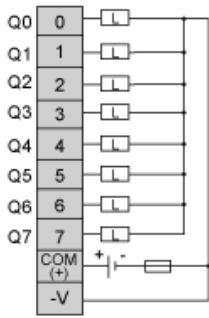
**Cable Types and Wire Sizes for Removable Screw Terminal Block**

<p>9 0.35 mm in.</p>							
mm <sup>2</sup>	0,14...1,5	0,25...0,5	0,25...1,5	0,14...0,5	0,14...0,75	0,25...0,34	0,5
AWG	26...16	24...20	24...16	26...20	26...18	24...22	20

## Digital Transistor Output Module (8-channel, Source)

---

### Wiring Diagram



L Load

Fuse value for the load: 4 A

### Recommended replacement(s)

TM2DDO8TT is replaced by the following product range:



#### **Modicon TM3**

Expansion I/O modules for Modicon M221, M241, M251 and M262

Products: 65