

Product datasheet

Specifications



Socket, separate contact, 10 A,
relay type RXM3, screw connector,
250 V AC

RXZE2S111M

Main

Range Of Product	Harmony Electromechanical Relays
Product Or Component Type	Socket
Contact Terminal Arrangement	Separate
Product Compatibility	Plug-in relay RXM with 3 C/O contact
Shape Of Pin	Flat
Device Short Name	RXZ
Sale Per Indivisible Quantity	10

Complementary

[Ith] Conventional Free Air Thermal Current	10 A
[Ue] Rated Operational Voltage	< 250 V
Connections - Terminals	Connector, 1 x 0.25...1 x 2.5 mm ² (AWG 22...AWG 14) flexible with cable end Connector, 2 x 0.25...2 x 1 mm ² (AWG 22...AWG 17) flexible with cable end Connector, 1 x 0.5...1 x 2.5 mm ² (AWG 20...AWG 14) solid without cable end Connector, 2 x 0.5...2 x 1.5 mm ² (AWG 20...AWG 16) solid without cable end
Tightening Torque	< 1 N.m for M3 screw(s)
Fixing Mode	By screw (panel) Clip-on (35 mm symmetrical DIN rail)
Marking	CE
Width	27 mm
Net Weight	0.066 kg

Environment

[Uimp] Rated Impulse Withstand Voltage	4 kV
Overvoltage Category	III
Pollution Degree	3
Standards	IEC 61984
Product Certifications	UL Lloyd's CSA
Ambient Air Temperature For Storage	-40...85 °C
Ambient Air Temperature For Operation	-40...55 °C
Ip Degree Of Protection	IP20 conforming to IEC 60529
Dielectric Strength	2500 V

Packing Units

Unit Type Of Package 1	PCE
Number Of Units In Package 1	1
Package 1 Height	2.7 cm
Package 1 Width	6.1 cm
Package 1 Length	8.2 cm
Package 1 Weight	61 g
Unit Type Of Package 2	BB1
Number Of Units In Package 2	10
Package 2 Height	11.6 cm
Package 2 Width	6.8 cm
Package 2 Length	14 cm
Package 2 Weight	624 g
Unit Type Of Package 3	S02
Number Of Units In Package 3	200
Package 3 Height	15 cm
Package 3 Width	30 cm
Package 3 Length	40 cm
Package 3 Weight	10.7 kg

Contractual warranty

Warranty	18 months
----------	-----------

Sustainability

Green Premium™ label is Schneider Electric's commitment to delivering products with best-in-class environmental performance. Green Premium promises compliance with the latest regulations, transparency on environmental impacts, as well as circular and low-CO₂ products.

Guide to assessing product sustainability is a white paper that clarifies global eco-label standards and how to interpret environmental declarations.

[Learn more about Green Premium >](#)

[Guide to assess a product's sustainability >](#)



Transparency RoHS/REACH

Well-being performance

Reach Free Of Svhc

Toxic Heavy Metal Free

Mercury Free

Rohs Exemption Information Yes

Certifications & Standards

Reach Regulation

[REACH Declaration](#)

Eu Rohs Directive

Pro-active compliance (Product out of EU RoHS legal scope)

[EU RoHS Declaration](#)

China Rohs Regulation

[China RoHS declaration](#)

Environmental Disclosure

[Product Environmental Profile](#)

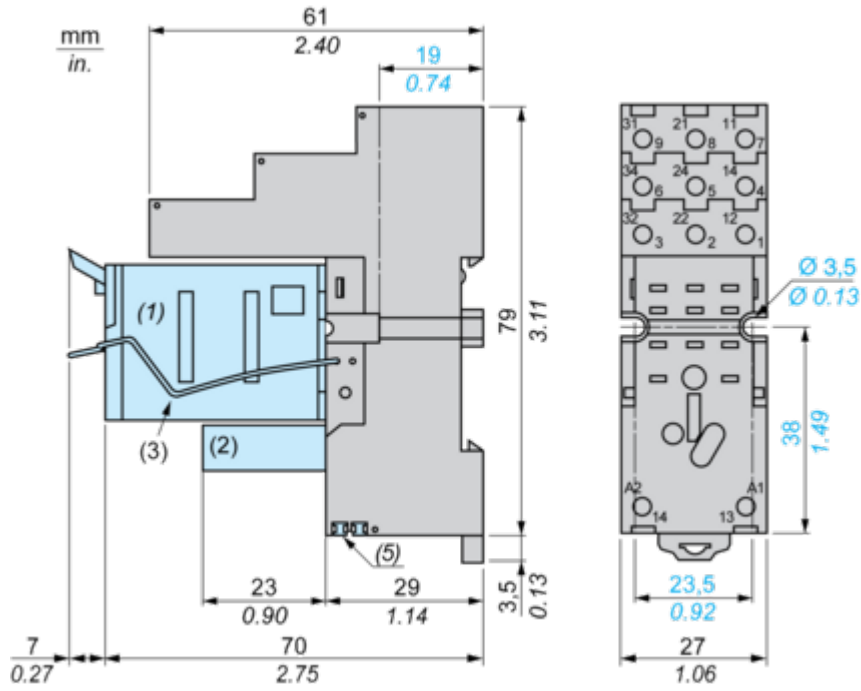
Weee

The product must be disposed on European Union markets following specific waste collection and never end up in rubbish bins

Circularity Profile

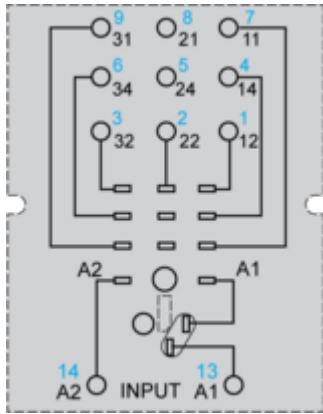
No need of specific recycling operations

Dimensions



- (1) Relays
- (2) Protection module
- (3) Maintaining clamp
- (4) 2 elongated holes Ø 3.5 mm x 6.5 mm / Ø 0.13 in. x 0.25 in.
- (5) 2 bus jumpers

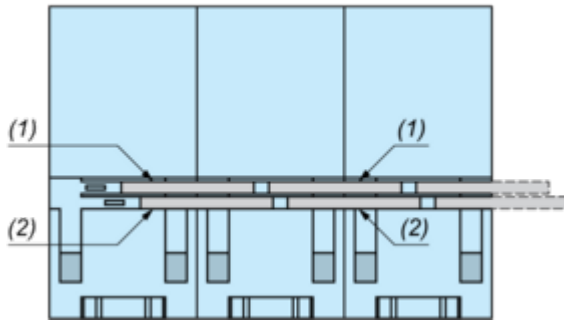
Wiring Diagram



Symbols shown in blue correspond to Nema marking.

Bus Jumpers Mounting on Sockets with Separate Contacts

Example of RXZS2 bus jumper mounting on sockets (view from below)



- (1) 2 bus jumpers (polarity A2)
- (2) 2 bus jumpers (polarity A1)